

**Series 8, Built-In Microwave, 60 x 38 cm, Stainless steel  
BEL634GS1**



**Included accessories**

1 x grid  
1 x Glass tray

**The built-in microwave for the 38 cm niche:  
use it for thawing, heating and faster  
preparation of foods.**

- **Microwave:** time saving preparation, defrosting and re-heating of dishes.
- **AutoPilot 10:** every dish is a perfect success thanks to 10 pre-set automatic programmes.
- **TFT-touchdisplay:** easy-to-use thanks to the control ring with clear text and symbols.
- **Stainless steel interior:** easy to clean interior thanks to smooth surfaces and no sharp edges.
- **Electronical door opening:** comfortable door opening just with a fingertip on the sensor button.

**Technical Data**

Type of micro-wave oven : MW+Grill function  
 Type of control : Electronic  
 Color / Material Front : Stainless steel  
 Dimensions : 382 x 594 x 318 mm  
 Cavity dimensions : 220 x 350 x 270 mm  
 Length electrical supply cord : 150 cm  
 Net weight : 18.7 kg  
 Gross weight : 20.9 kg  
 Approval certificates : CE, Eurasian, Morocco, VDE  
 Max. microwave power level : 900 W  
 Number of Power Levels : 5  
 Turntable : No  
 Cavity material : Stainless steel  
 Door opening : Button  
 Clock : Yes  
 Included accessories : 1 x grid, 1 x Glass tray  
 Main colour of product : Stainless steel  
 Height of the product : 382 mm  
 Width of the appliance : 594 mm  
 Depth of the product : 318 mm  
 Max. microwave power level : 900 W  
 Connection Rating : 1990 W  
 Fuse protection : 10 A  
 Voltage : 220-240 V  
 Frequency : 50; 60 Hz  
 Plug type : GARDY plug w/ earthing  
 Color / Material Front : Stainless steel  
 Approval certificates : CE, Eurasian, Morocco, VDE  
 Required cutout/niche size for installation (in) : x x  
 Dimensions of the packed product : 18.50 x 18.11 x 26.37  
 Net weight : 41.000 lbs  
 Gross weight : 46.000 lbs  
 Included accessories : 1 x grid, 1 x Glass tray



**Series 8, Built-In Microwave, 60 x 38 cm,  
Stainless steel  
BEL634GS1**

**The built-in microwave for the 38 cm niche:  
use it for thawing, heating and faster  
preparation of foods.**

---

- Intelligent inverter technology: maximum output power will be regulated to 600 W when used in longer operation

**Design:**

**Comfort:**

- side opening door, hinge left
- LED light

**Accessory:**

- Glass tray, grid

**Environment and Safety:**

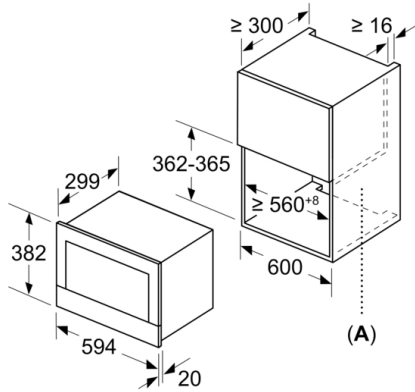
- Start-/Stop button

**Technical Information**

- Length of mains cable: 150 cm
- Total connected load electric: 1.99 KW
- Appliance dimension (hxwxd): 382 mm x 594 mm x 318 mm
- Niche dimension (hxwxd): 362 mm - 382 mm x 560 mm - 568 mm x 300 mm
- "Please reference the built-in dimensions provided in the installation drawing"

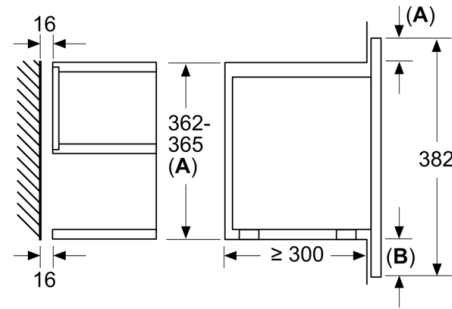
**Series 8, Built-In Microwave, 60 x 38 cm,  
Stainless steel  
BEL634GS1**

measurements in mm

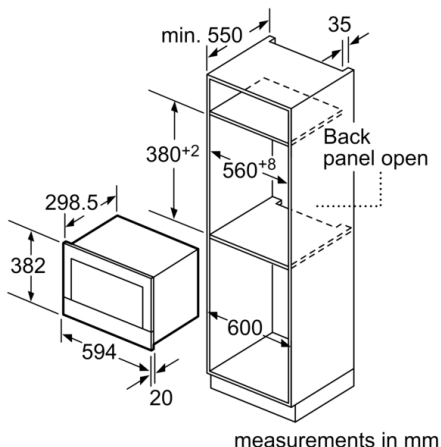


A: Back panel open

measurements in mm



A: Overhang at top:  
Recess 362: 6 mm  
Recess 365: 3 mm  
B: Overhang at bottom: 14 mm



measurements in mm